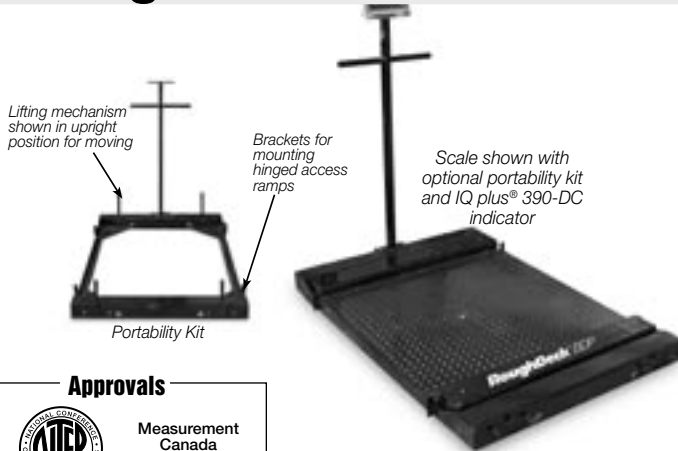


## RoughDeck™ BDP Barrel Scale – Standard Model with Portability Option



### Standard Features

- Live siderails
- Top access foot adjustment holes (holes are 1/2-13 threaded for lifting scale)
- Four adjustable stainless steel SUREFOOT support feet
- 30" x 31" or 36" x 37" weighing surface (not including side rails)
- TuffSeal™ JB4SS Stainless Steel, NEMA 4X junction box with signal trim card
- Three-year limited warranty

### Mild Steel Models

- Treaded top plate
- Alloy steel load cells

### Stainless Steel Models

- Smooth top plate
- Stainless steel or stainless steel with welded-seal (IP67) load cells

## Specifications

### END LOAD CAPACITY:

- 1,000 lb: 100% full scale
- 2,500 lb: 80% full scale

### CABLE LENGTH:

- 10' (3 m)

### APPROVALS:

- NTEP-certified CC#03-060
- Measurement Canada Approved: AM5578

### WARRANTY:

- Three-year limited warranty

### ROUGHDECK BDP SCALE

PART #	PLATFORM SIZE (W x L)	CAPACITY	EST. SHIP WT
<b>Mild Steel</b> (Canadian Approved Capacities in parenthesis)			
77962	30" x 31"	1,000 lb (500 kg)	205 lb
77963	30" x 31"	2,500 lb (1,000 kg)	205 lb
77964	36" x 37"	1,000 lb (500 kg)	265 lb
77965	36" x 37"	2,500 lb (1,000 kg)	265 lb
<b>Stainless Steel</b>			
77967	30" x 31"	1,000 lb (500 kg)	205 lb
77968	30" x 31"	2,500 lb (1,000 kg)	205 lb
77969	36" x 37"	1,000 lb (500 kg)	265 lb
77970	36" x 37"	2,500 lb (1,000 kg)	265 lb
<b>Stainless Steel with Stainless Steel Welded-Seal (IP67) Load Cells</b>			
77971	30" x 31"	1,000 lb (500 kg)	205 lb
77972	30" x 31"	2,500 lb (1,000 kg)	205 lb
77973	36" x 37"	1,000 lb (500 kg)	265 lb
77974	36" x 37"	2,500 lb (1,000 kg)	265 lb

### ROUGHDECK BDP PORTABILITY KITS

#### Kits include:

- Frame
- Two swivel and two fixed zinc plated steel NSF approved wheels (75 lb max. load capacity)
- Indicator stand (suitable for IQ plus® 310, 320IS, 320IS plus, IQ plus® 355, IQ plus® 390, IQ plus® 590, IQ 700, UMC444 and UMC555)

PART #	DESCRIPTION	EST. SHIP WT
<b>Mild Steel</b>		
78021	For use with 30" x 31" scale	90 lb
78022	For use with 36" x 37" scale	100 lb
<b>Stainless Steel</b>		
78023	For use with 30" x 31" scale	90 lb
78024	For use with 36" x 37" scale	100 lb

### HINGED ACCESS RAMPS

For use with portability kit

PART #	SIZE (W x L)	EST. SHIP WT
<b>Mild Steel</b>		
78015	29.25" x 12" (sold individually)	25 lb
78016	35.25" x 12" (sold individually)	30 lb
<b>Stainless Steel</b>		
78017	29.25" x 12" (sold individually)	25 lb
78018	35.25" x 12" (sold individually)	30 lb

### DIMENSIONS W/PORTABILITY FRAME & HINGED ACCESS RAMPS

#### 30" x 31" Models

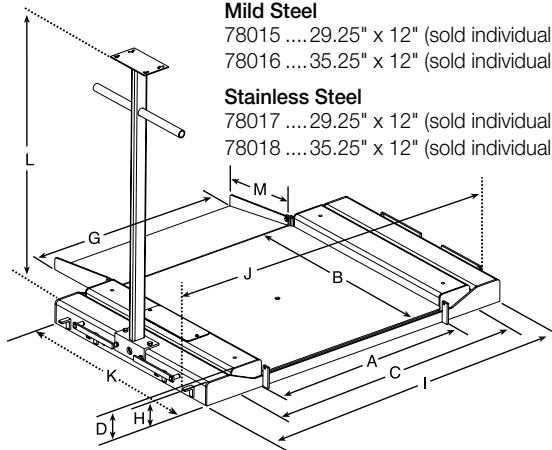
A: 30.0" (762 mm)	I: 49.25" (1250.9 mm)
B: 31.0" (787.4 mm)	J: 52.25" (1327.1 mm)
C: 40.0" (1016 mm)	K: 31.12" (790.4 mm)
D: 3.66" (92.9 mm)	L: 40.37" (1025.4 mm)
G: 29.25" (742.9 mm)	M: 12.0" (304.8 mm)
H: 3.25" (82.5 mm)	

#### 36" x 37" Models

A: 36.0" (914.4 mm)	I: 55.25" (1403.4 mm)
B: 37.0" (939.8 mm)	J: 58.25" (1479.5 mm)
C: 46.0" (1168.4 mm)	K: 37.12" (942.8 mm)
D: 3.66" (92.9 mm)	L: 40.37" (1025.4 mm)
G: 35.25" (895.3 mm)	M: 12.0" (304.8 mm)
H: 3.25" (82.5 mm)	

Distance from floor to top of center weighing surface: 1.94" (49.2 mm)

Distance from floor to bottom of weighing surface: 0.62" (15.7 mm)



PART #	SIZE (W X L)	CAPACITY (CANADIAN APPROVED CAPACITIES)	EST. SHIP WEIGHT	PRICE
<b>BDP Scale</b>				
<b>Mild Steel</b>				
77962	30" x 31"	1,000 lb (500 kg)	205 lb	\$1,495.00
77963	30" x 31"	2,500 lb (1,000 kg)	205 lb	1,495.00
77964	36" x 37"	1,000 lb (500 kg)	265 lb	1,595.00
77965	36" x 37"	2,500 lb (1,000 kg)	265 lb	1,595.00
<b>Stainless Steel</b>				
77967	30" x 31"	1,000 lb (500 kg)	205 lb	3,395.00
77968	30" x 31"	2,500 lb (1,000 kg)	205 lb	3,395.00
77969	36" x 37"	1,000 lb (500 kg)	265 lb	3,495.00
77970	36" x 37"	2,500 lb (1,000 kg)	265 lb	3,495.00
<b>Stainless Steel with Stainless Steel Welded-Seal (IP67) Load Cells</b>				
77971	30" x 31"	1,000 lb (500 kg)	205 lb	3,695.00
77972	30" x 31"	2,500 lb (1,000 kg)	205 lb	3,695.00
77973	36" x 37"	1,000 lb (500 kg)	265 lb	3,795.00
77974	36" x 37"	2,500 lb (1,000 kg)	265 lb	3,795.00
<b>Portability Kits</b>				
<b>Kits include:</b>				
<ul style="list-style-type: none"> <li>• Frame</li> <li>• Two swivel and two fixed zinc plated steel NSF approved wheels (75 lb max. load capacity)</li> <li>• Indicator stand (suitable for IQ plus® 310, 320IS, 320IS plus, IQ plus® 355, IQ plus® 390, 420 plus, IQ plus® 590, IQ 700, UMC444 and UMC555)</li> </ul>				
<b>Mild Steel</b>				
78021	For use with 30" x 31" scale		90 lb	650.00
78022	For use with 36" x 37" scale		100 lb	700.00
<b>Stainless Steel</b>				
78023	For use with 30" x 31" scale		90 lb	975.00
78024	For use with 36" x 37" scale		100 lb	1,030.00
<b>Hinged Access Ramps</b>				
For use with portability kit				
<b>Mild Steel</b>				
78015	29.25" x 12" (sold individually)		25 lb	175.00
78016	35.25" x 12" (sold individually)		30 lb	175.00
<b>Stainless Steel</b>				
78017	29.25" x 12" (sold individually)		25 lb	295.00
78018	35.25" x 12" (sold individually)		30 lb	295.00